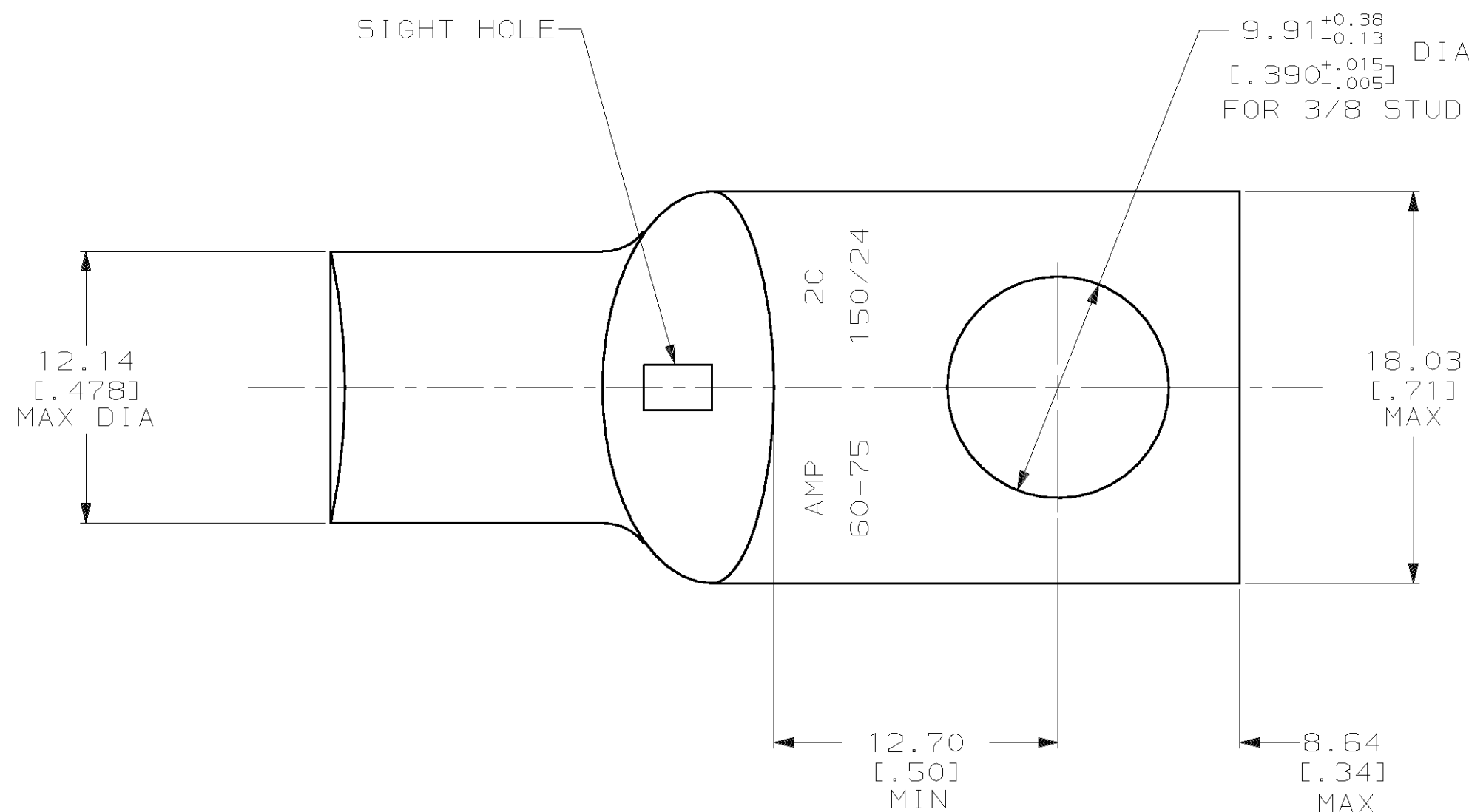
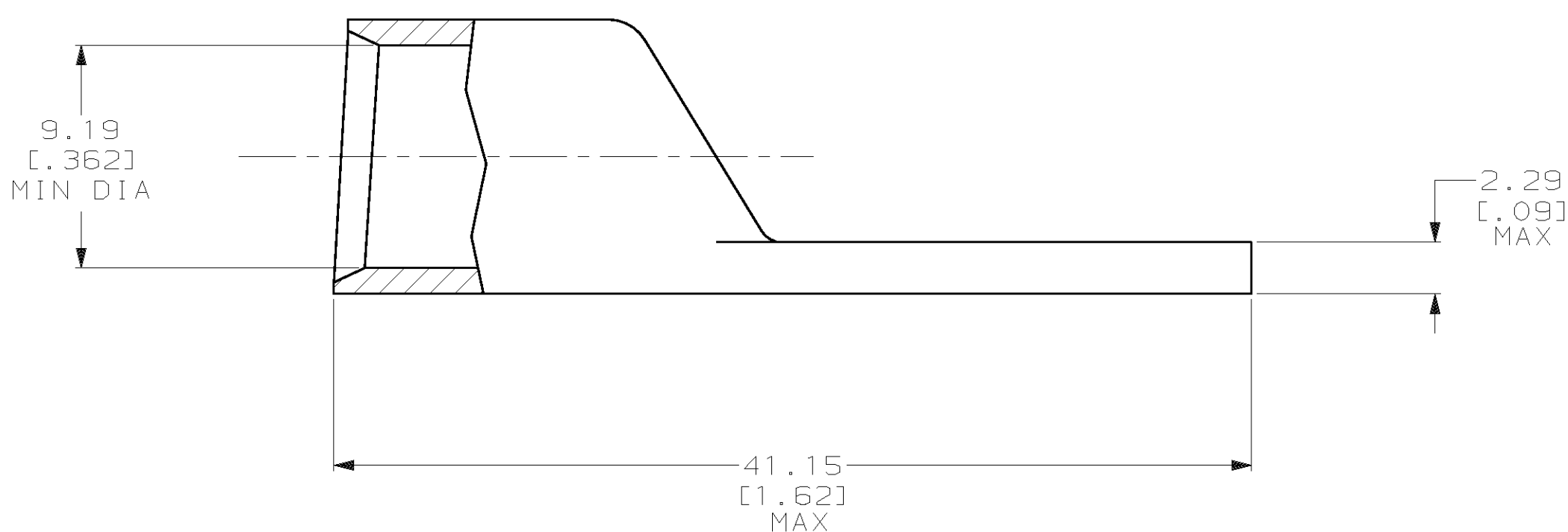


THIS DRAWING IS UNPUBLISHED. RELEASED FOR PUBLICATION ,19 .
 © COPYRIGHT 19 BY AMP INCORPORATED. ALL INTERNATIONAL RIGHTS RESERVED.

LOC		DIST		P		F		ZONE		LTR		REVISIONS		DATE	APPD	
G		86											U	REV PER 0G3A-0561-01	07OCT02	JR/MS



1 CIRCULAR MIL AREA RANGE: 52,600-83,700 CM
 2 TIN PL 0.00381 [.000150] MIN THK PER MIL-T-10727



325203

325203
PART NO

DO NOT SCALE PRINT. UNLESS SPECIFIED DIMENSIONS IN mm [INCHES] TOLERANCES ON : 2 PLC DEC ± 0.51 [.020] 3 PLC DEC ± - ANGLES ± -	DR 02/28/90 DK SCHRUM	AMP INCORPORATED Harrisburg, Pa. 17105
	CHK 18JAN95 MS FEHER	
MATERIAL ANNEALED COPPER ASTM B-75	APPD 18JAN95 WJ VOCKROTH	NAME
	APPD 18JAN95 TL SHUTTER	TERMINAL, AMPOWER, WIRE SIZE: 2 AWG
FINISH 2	PRODUCT SPEC 108-30200	SIZE
	APPLICATION SPEC -	C 00779
	WEIGHT .024 LB	SCALE 4:1
		DRAWING NO 325203
		SHEET 1 OF 1

